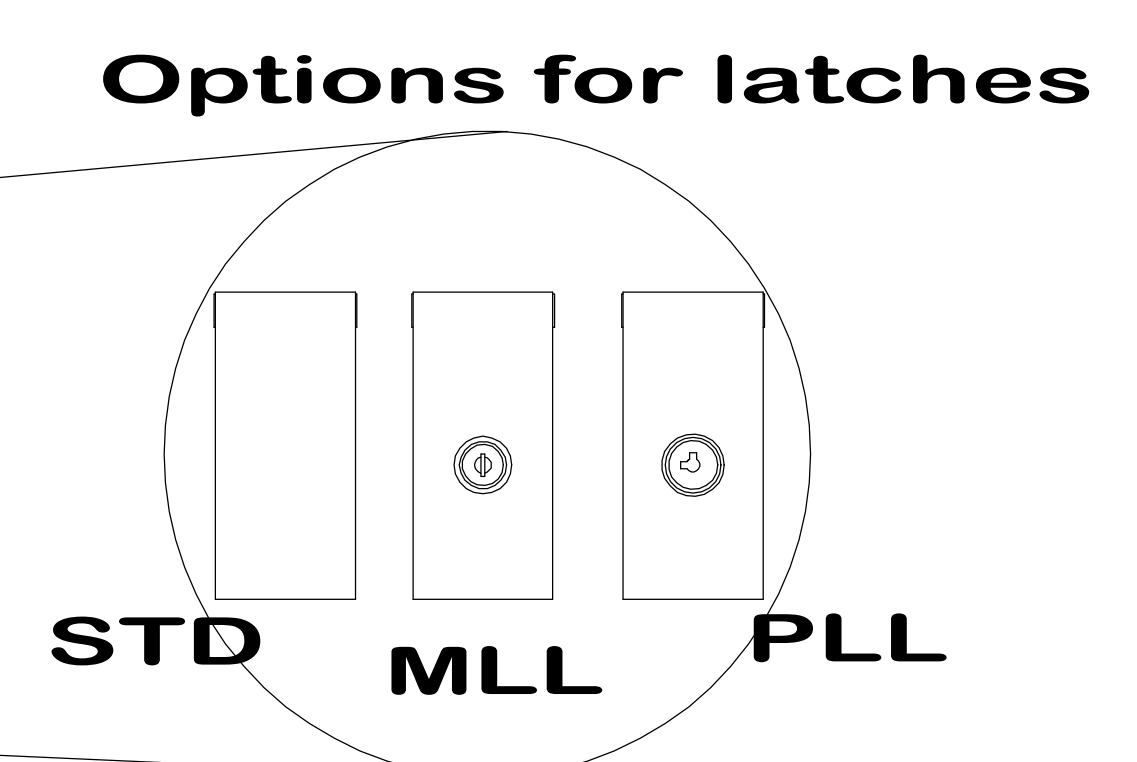
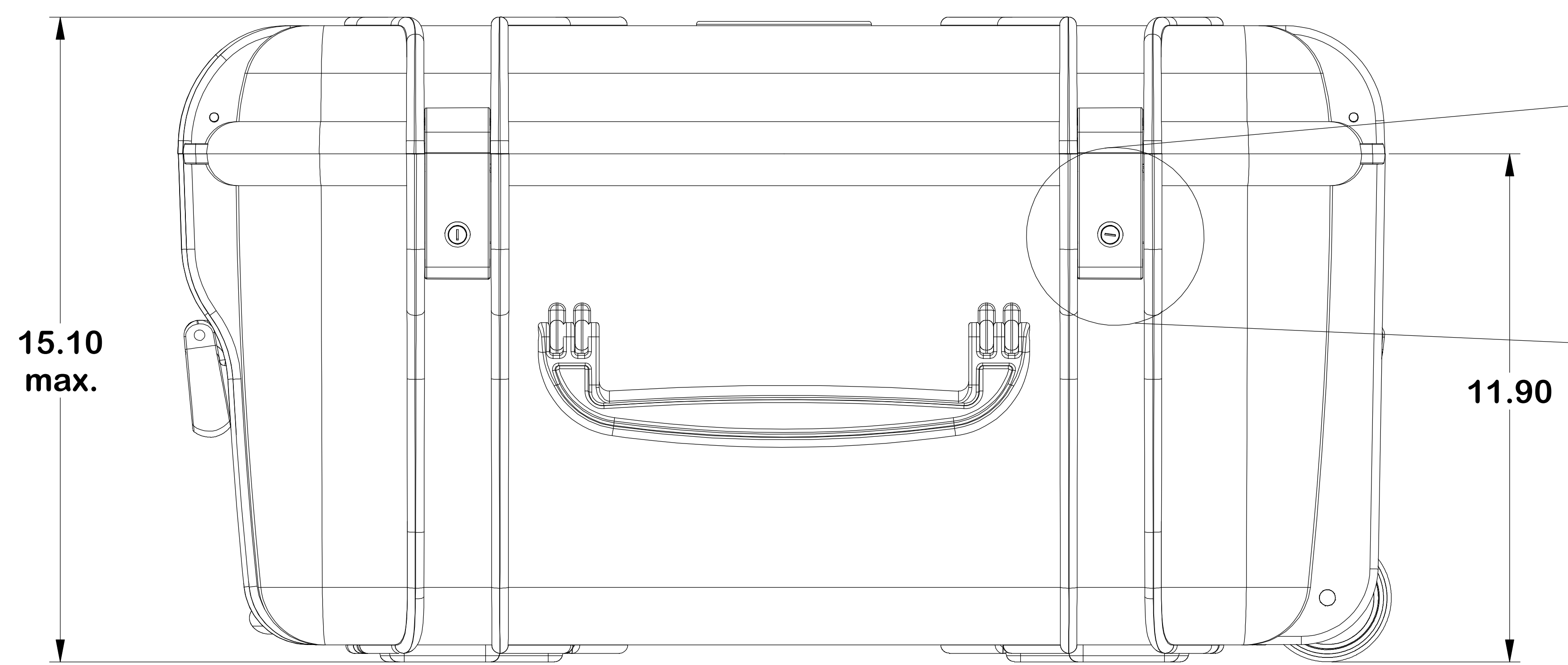
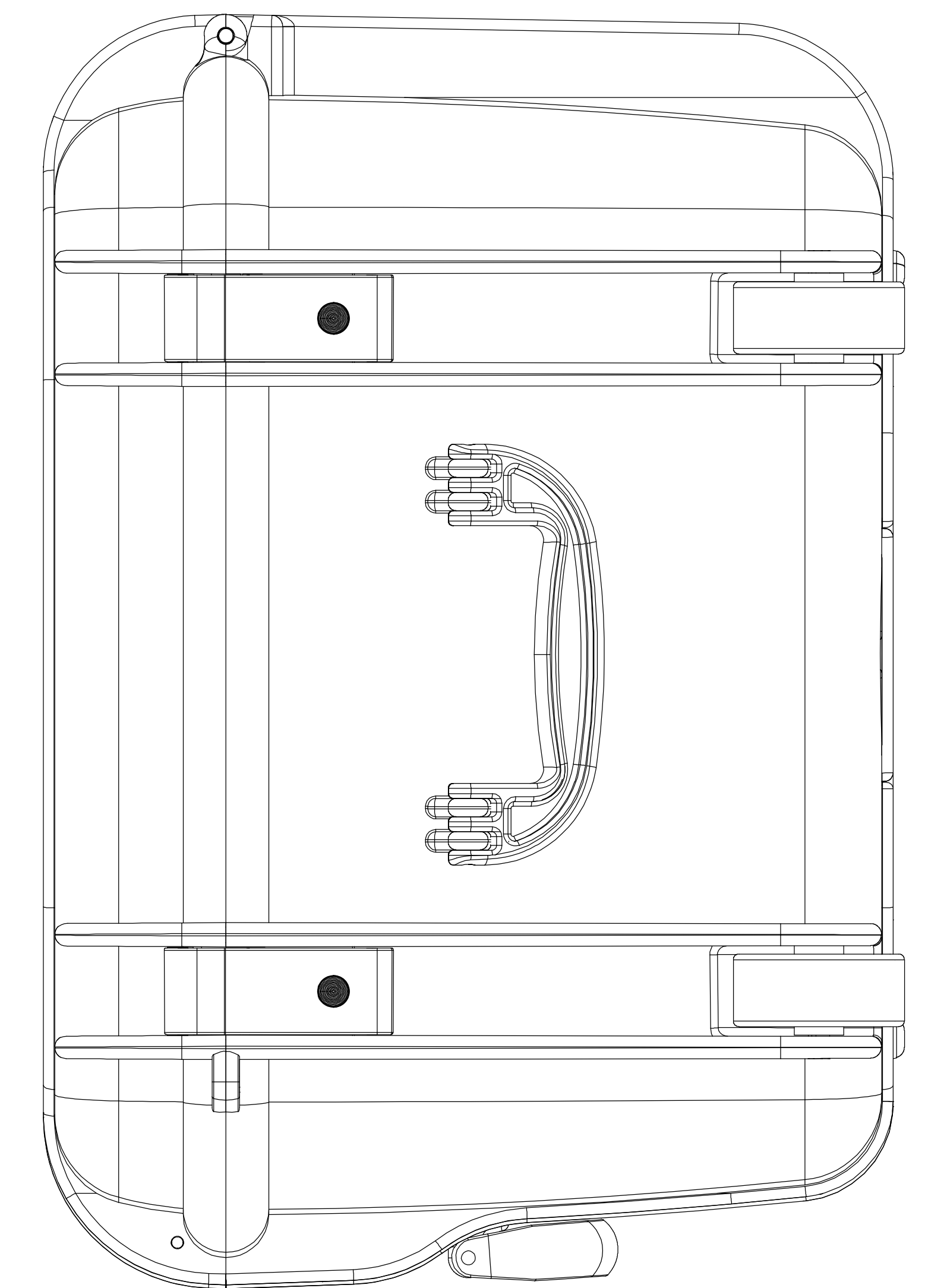
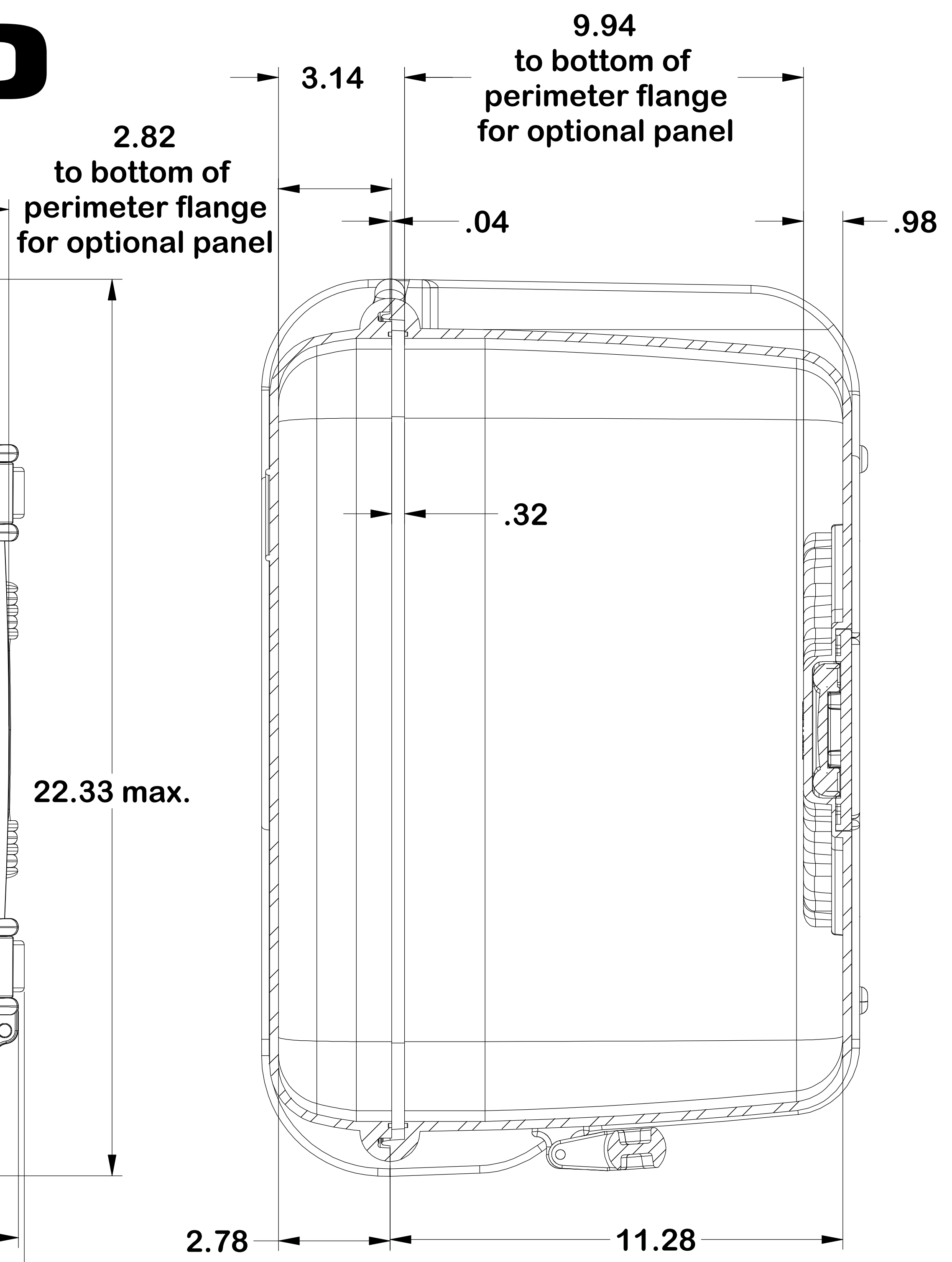
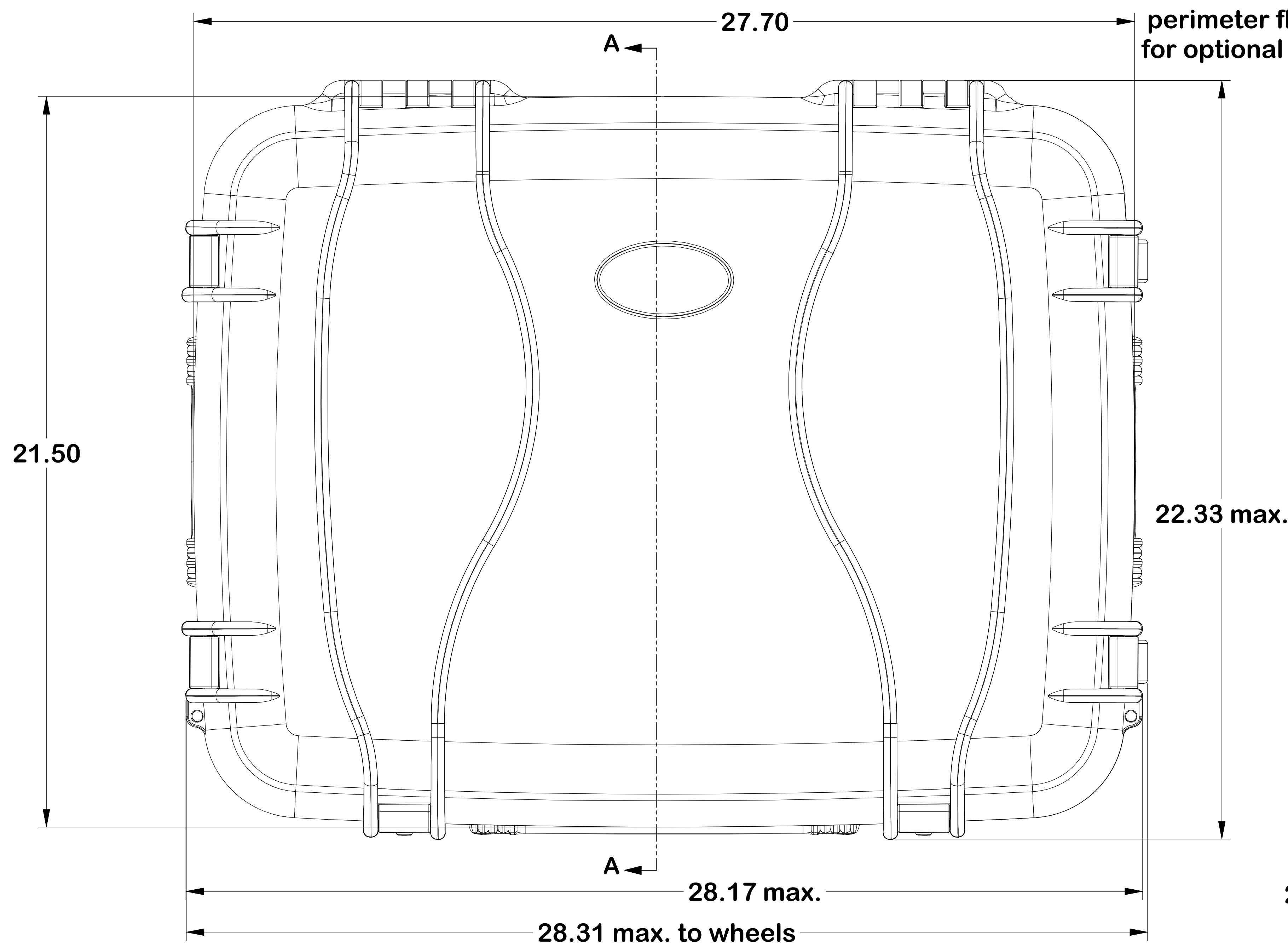


SERPAC R-1220

Protective Cases



Note:
Must be specified at
time of order.

Note:
Max. usable inside dimensions are:
25.52" X 19.50" X 14.06" (13.08" to bottom step)
dim. are approx. (curved enclosure)